

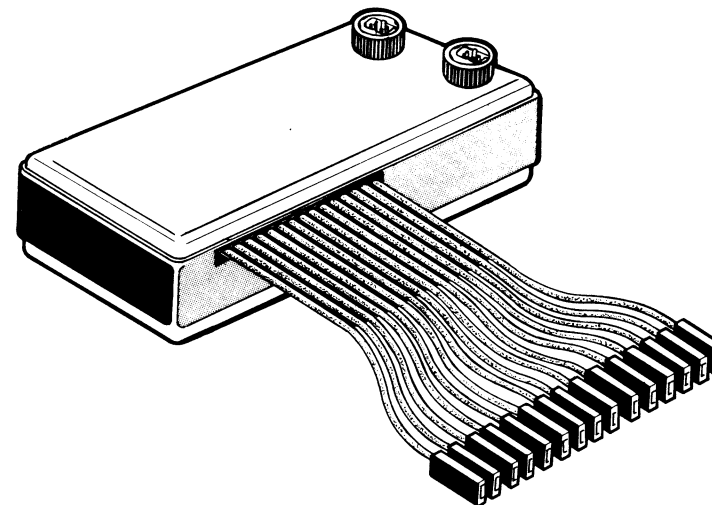
### WARRANTY

The warranty is valid for one year from the date of installation and covers those parts which, at **med**'s sole decision, are judged to be defective. Out-plant labour costs and any other costs are hereby excluded.

**This warranty covers only those units whose installation warranty form (correctly filled out) has been received by med.**



ENGLISH



electric window closing module

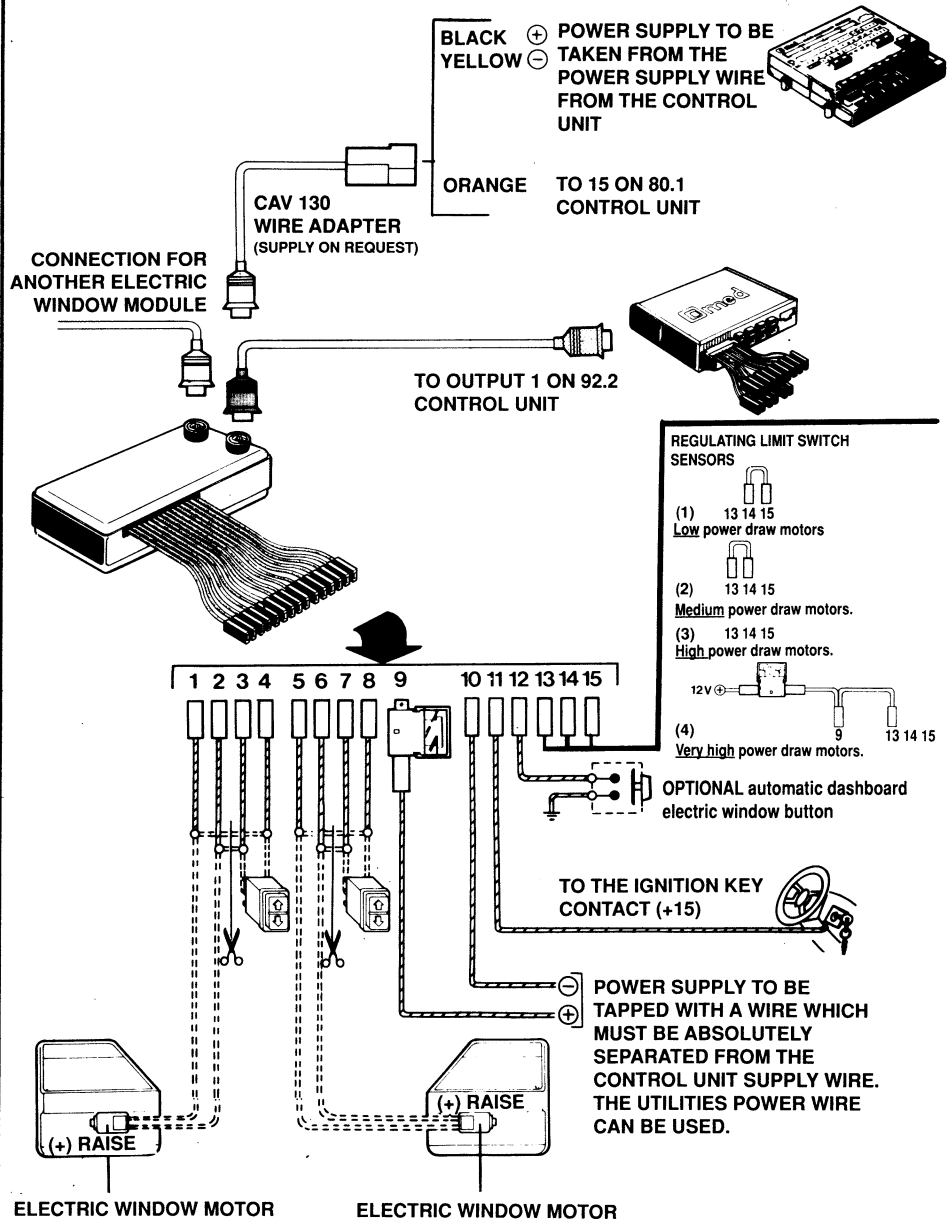
# AZC 130

installation instructions



**med** spa  
P.O. Box 255  
42100 Reggio Emilia (Italy)

## INSTALLATION DIAGRAM WITH med 92.2 e 80.1 CONTROL UNITS



## INSTALLATION

- A** Locate the electric window closing module in the most convenient part of the car interior where the wiring will be the least complicated. Prepare the mounting by attaching the VELCRO strip supplied with the kit.
- B** Identify the window raising motor supply wires, cut them and connect them to the AZC130 module following the wiring diagram.  
**CAUTION: if the window raising motor is piloted with a power pack, make sure you tap into the wires connecting the motors and the power pack NOT those between the control switches and the power pack .**
- C** **OPTIONAL:** install and connect a dashboard pushbutton to close the windows automatic when the car is moving.
- D** Make the permanent power supply connection and also the power supply connection with the ignition key contact which will enable operation from the dash.
- E** Connect the module to the **med 92.2** control unit using the cable provided in the kit. If you have to connect to the **med 80.1** control unit, ask your dealer for the **CAV130** adapter cable.

## REGULATING THE LIMIT SWITCH SENSORS

- Regulate (1) and lower the windows and then use the remote control unit to raise them.
  - Hold back the window with your hand as it is closing. If the motor stops of its own accord or when slight pressure is exercised, go on to the regulating stage (2).
  - Repeat this test with each window. Regulate each as needed (3) or (4).
- CAUTION: the module is programmed for a timed motor stop. Despite this, careful limit switch regulation will prevent unnecessary strain on the motors and thus ensure their long working life.**

## OPERATING INSTRUCTIONS

- When the system is used with the remote control unit the windows are automatically closed.
- When the ignition is on, a simple touch of the button on the dashboard provides the windows closing all the way.

### WITH THE med 92.2 SYSTEM

- Window closing can be stopped by switching off the system with the remote control.
- Whenever RADAR cut out is programmed, window closing is also cut out.
- If the sistem is enabled with the electronic key rather than with the remote control, the windows can be closed.