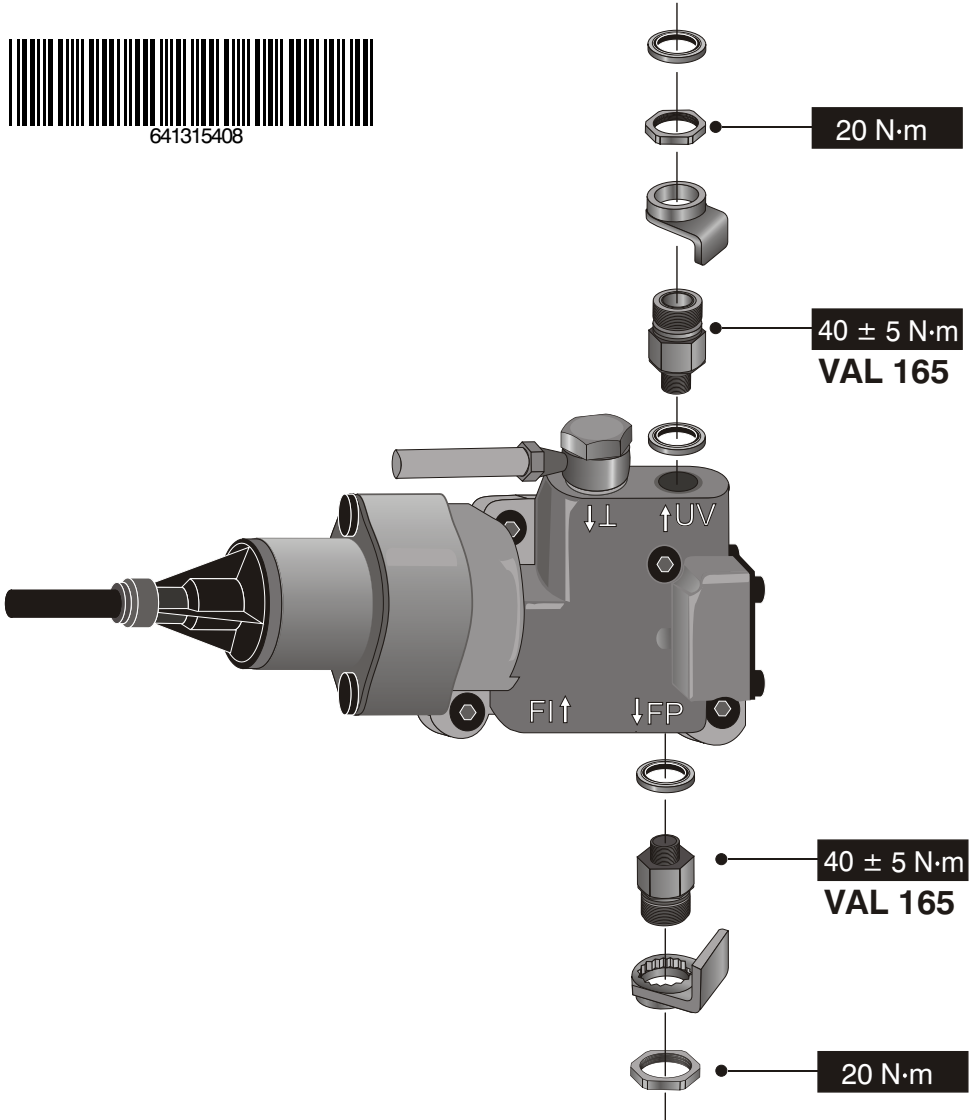


# [med]

## VAL 165



641315408



# [med]

med S.p.A.  
Via Raffaello, 33 - 42100 Reggio Emilia (Italy)  
tel. +39 0522 511665 fax +39 0522 500153

[www.med-italy.com](http://www.med-italy.com)  
e-mail: [med.service@med-italy.com](mailto:med.service@med-italy.com)



AVVERTENZE AMBIENTALI  
CERTIFICATO DA CNR  
UNI EN ISO 9001